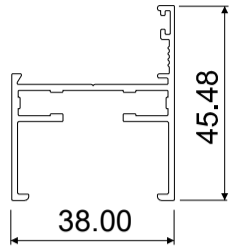


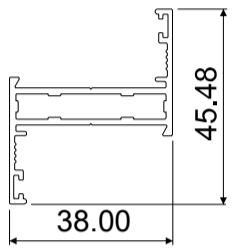


OUTER FRAME & SASH

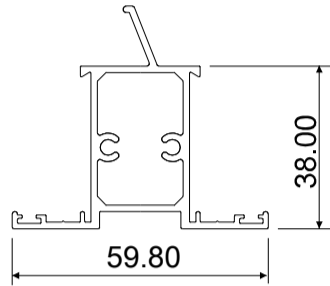


W32070

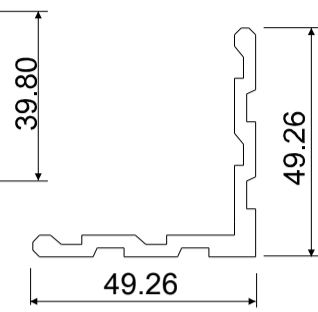
MULLIONS



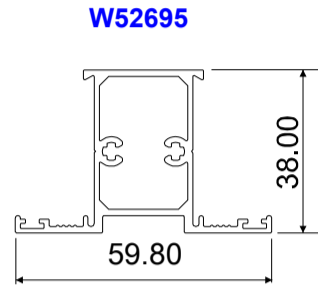
W55717



W13408



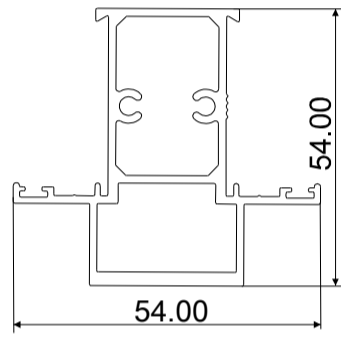
W52538



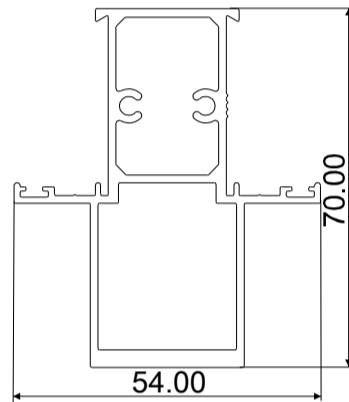
W52695



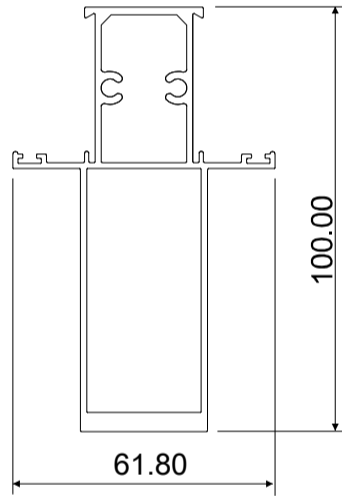
W55718



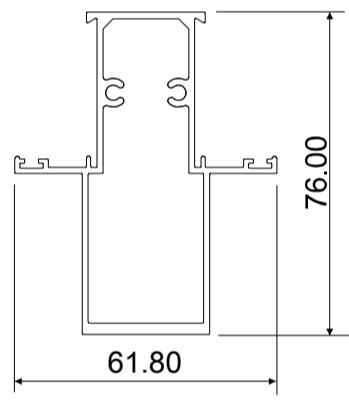
W56796



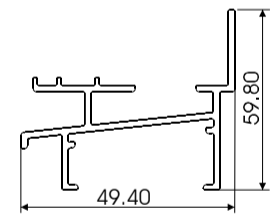
W56797



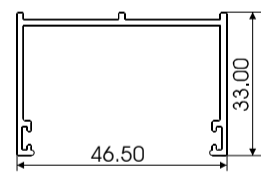
W54454



W54455

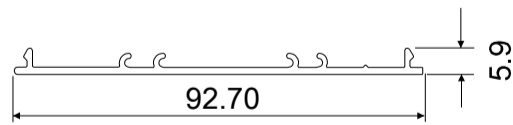


W34529



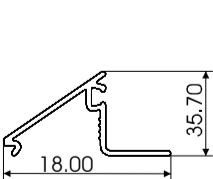
W31412

MISCELLANEOUS

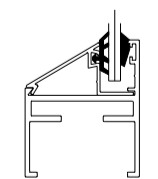


W30607

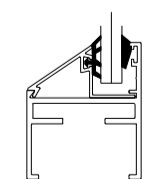
GLAZING BEAD



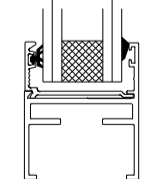
W31140



3mm - 5mm
W24530



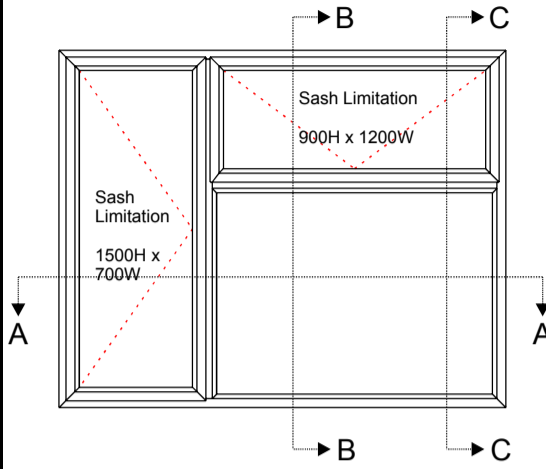
7mm - 8mm
W25200



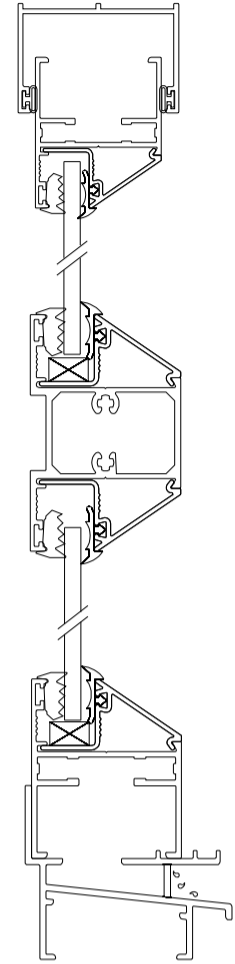
Up to 24mm
W30312

Please refer to system manual for additional information

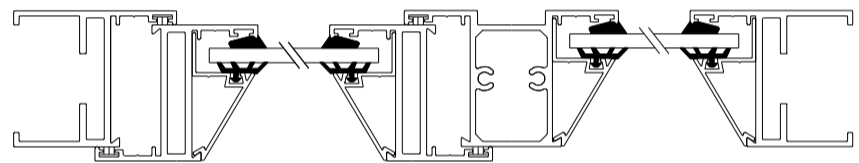
Standard Assembly



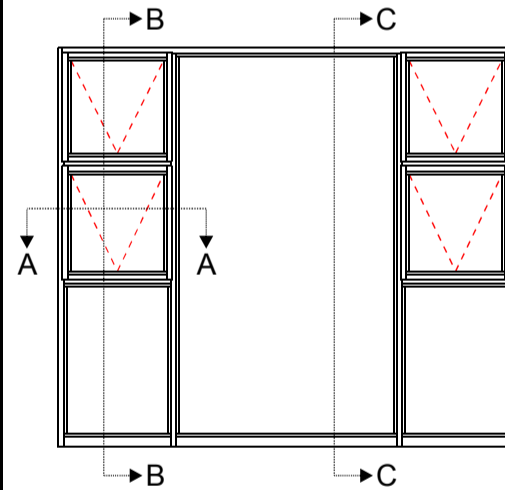
SECTION B - B



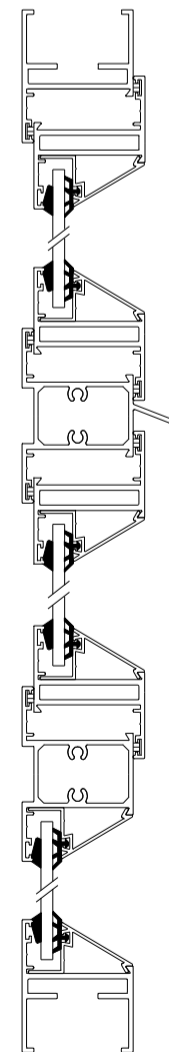
SECTION A - A



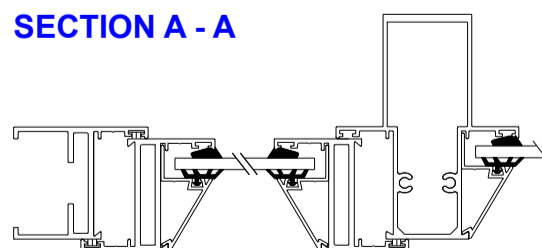
Heavy Duty Assembly



SECTION B - B



SECTION A - A



Disclaimer: The right to make alterations is reserved.

© Copyright 2013, Wispeco (pty) Ltd.

April 2013